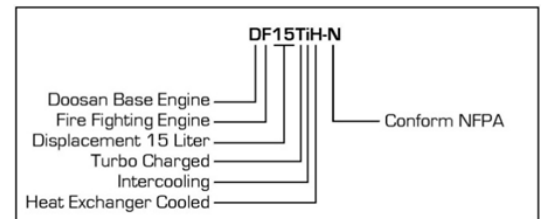
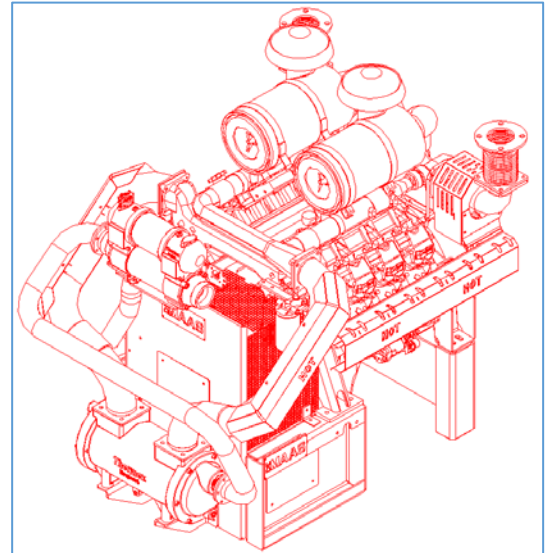
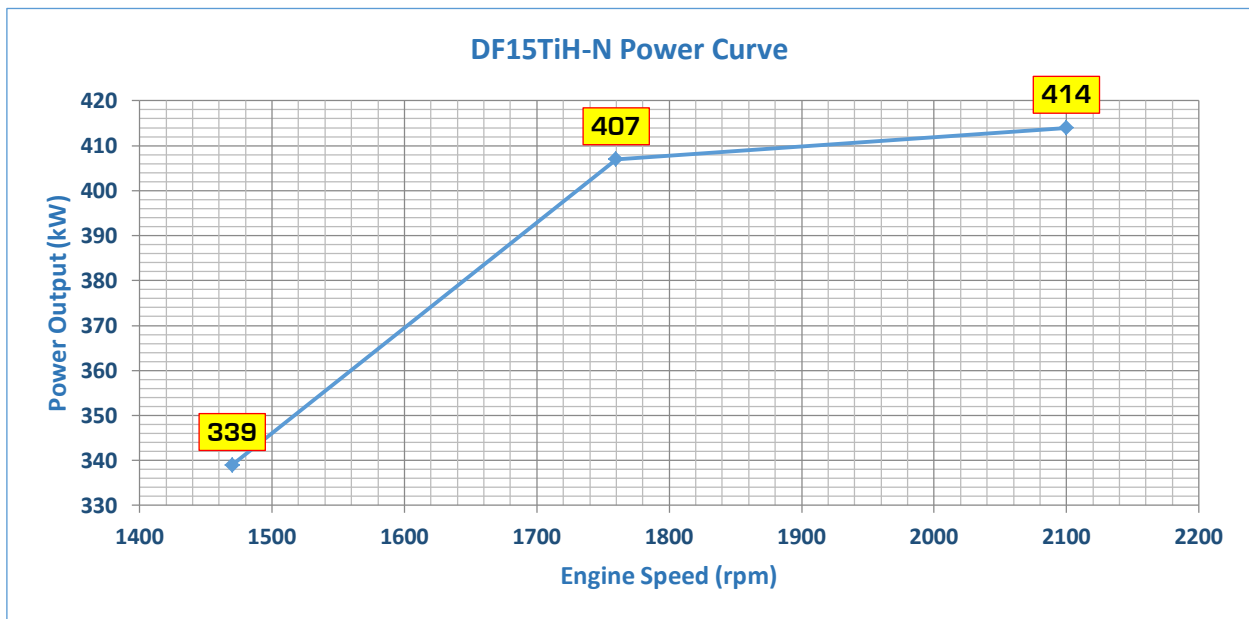


MODEL	Engine Ratings kW(hp) @ Rated speed rpm		
	1,470	1,760	2,100
DF15TiH-N	339 (455)	407 (546)	414 (555)



ENGINE SPECIFICATIONS	
• Engine Series	DOOSAN PU158Ti
• Engine Type	V-type 4 cycle, water cooled 8 cylinder
• Aspiration	Turbo charged & Intercooled
• Combustion Type	Direct injection
• Bore x Stroke	<i>mm (inch)</i> 128 (5.04) x 142 (5.59)
• Compression ratio	15 : 1
• Displacement	<i>litre (inch<sup>3</sup>)</i> 14.618 (892.0)
• Rotation	Anti-Clockwise
• Weight	<i>kg</i> 1,150
• Valves lashes at cold	<i>mm (inch)</i> Intake 0.3 (0.0118) Exhaust 0.4 (0.0157)
• Wiring Diagram	No. 01.900.07WDEN.03 (Optional)
• Panel Diagram	No. 01.900.07PDEN.03(Optional)
• Oil pan capacity	<i>litre (gal.)</i> High level 28 (7.4) Low level 26 (6.86)
• Battery Capacity	<i>Ah</i> 200 recommend (battery not incl.)
• Coolant capacity	<i>litre (gal.)</i> 29 (7.7)



#### ENGINE RATINGS BASELINES

Engines are not to be used for continuous duty. Engines are to be used only for stationary emergency standby fire pump service. According to NFPA 25 engines are to be tested 30 minutes per week at no pump flow and full pump flow once per year.

Engines are rated at standard SAE conditions of 29.61 in. (7,521 mm) Hg barometer and 77°F (25°C) inlet temperature (approximates 300ft. (91.4m) above sea level) by the testing laboratory (see SAE Standard J1349).

A deduction of 3 percent from engine horsepower rating at standard SAE conditions shall be made for diesel engines for each 1,000ft. (305m) altitude above 300ft. (91.4m).

A deduction of 1 percent from engine horsepower rating as corrected to standard SAE conditions shall be made for diesel engines for every 10°F (5.6°C) above 77°F (25°C) ambient temperature.

To determine the maximum allowable pump load, a deduction of 10% must be made.

**Restricted:** Use ratings only for stand-by fire pump applications

Copyright and ownership of this Power Curve is vested in De Maas B.V., whose prior written consent is required for its use, reproduction or for publication to any third party. All rights reserved.

Tested at standard SAE conditions of 29.61 in. (7,521 mm) Hg barometer and 77°F (25°C) inlet temperature (approximates 300ft. (91.4m) above sea level) by the testing laboratory (see SAE Standard J1349). Used Diesel fuel ASTM 2D.

Engine Equipment	Standard	Optional
Air cleaner	Drip proof, disposable	Heavy Duty Models
Alternator	24 Volts x 45 Amps with belt guard	-
Exhaust protection	Sheet Steel Guarding	<b>Elbow &amp; Pipe Lagging</b>
Exhaust flex connection <i>mm (inch)</i>	138.4 (5")	-
Flywheel housing	SAE 1	<b>DRIVE LINE</b>
Flywheel connection	SAE 14	<b>STUB SHAFT</b>
Fuel filter	Full flow, cartridge type	-
Fuel Lines	-	Flexible hoses according ISO 15540
Engine heater	230 Volts 3,000 Watt	-
Governor speed	Constant speed, mechanical	-
Heat exchanger	Tube Stack Type	Suitable for Sea Water conditions
Control / Instrument panel	-	Build on Engine
Junction box	-	Integrated in control panel
Lube Oil filter	Full flow, cartridge type	-
Lube Oil pump	Gear type, driven by crankshaft	-
Manual start	-	On instrument panel
Overspeed control	-	Electronic instrument panel, test on instrument panel
Run-stop control	-	On instrument panel
Starters	24 Volts x 7 kW	-
Throttle Control	Adjustable speed control,	-
Water pump	Centrifugal type driven by gear	<b>FURTHER OPTIONS ON REQUEST</b>

